



# Handling System for Hood type Dishwasher Service Shelf, 700mm (entry level HT)

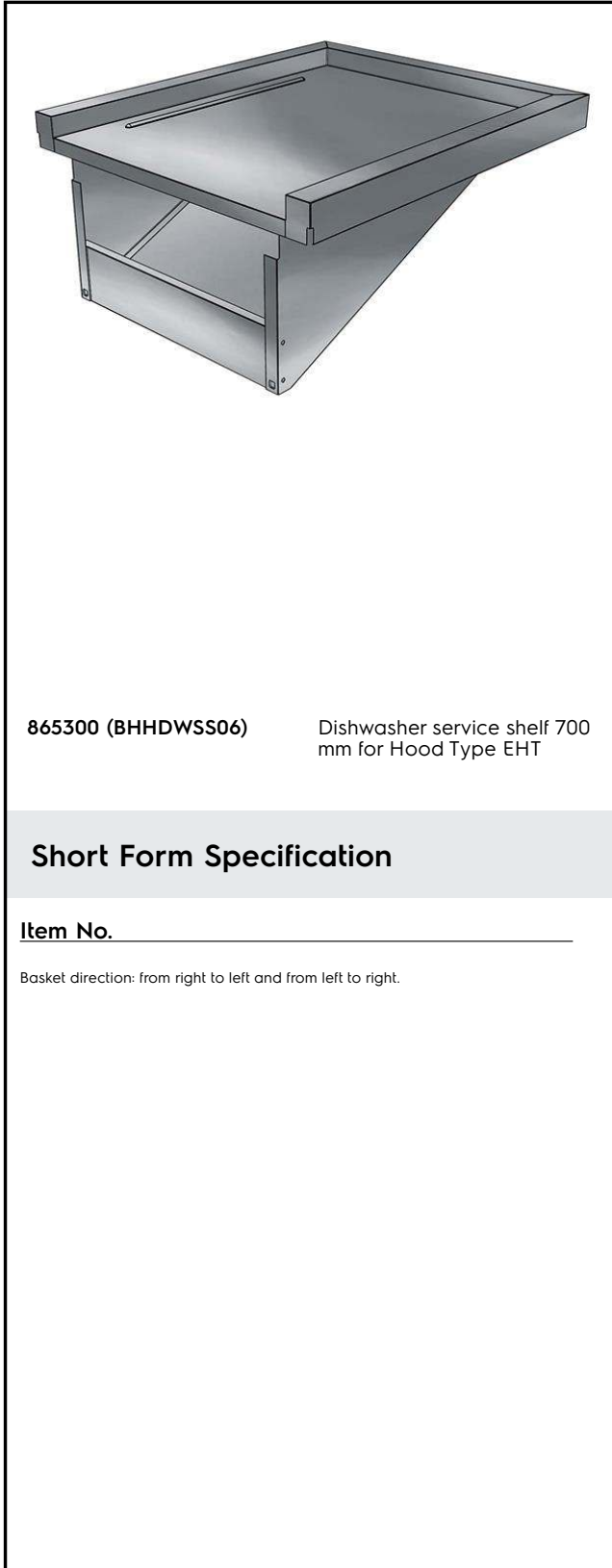
ITEM # \_\_\_\_\_

MODEL # \_\_\_\_\_

NAME # \_\_\_\_\_

SIS # \_\_\_\_\_

AIA # \_\_\_\_\_



865300 (BHHDWSS06)

Dishwasher service shelf 700 mm for Hood Type EHT

## Short Form Specification

Item No. \_\_\_\_\_

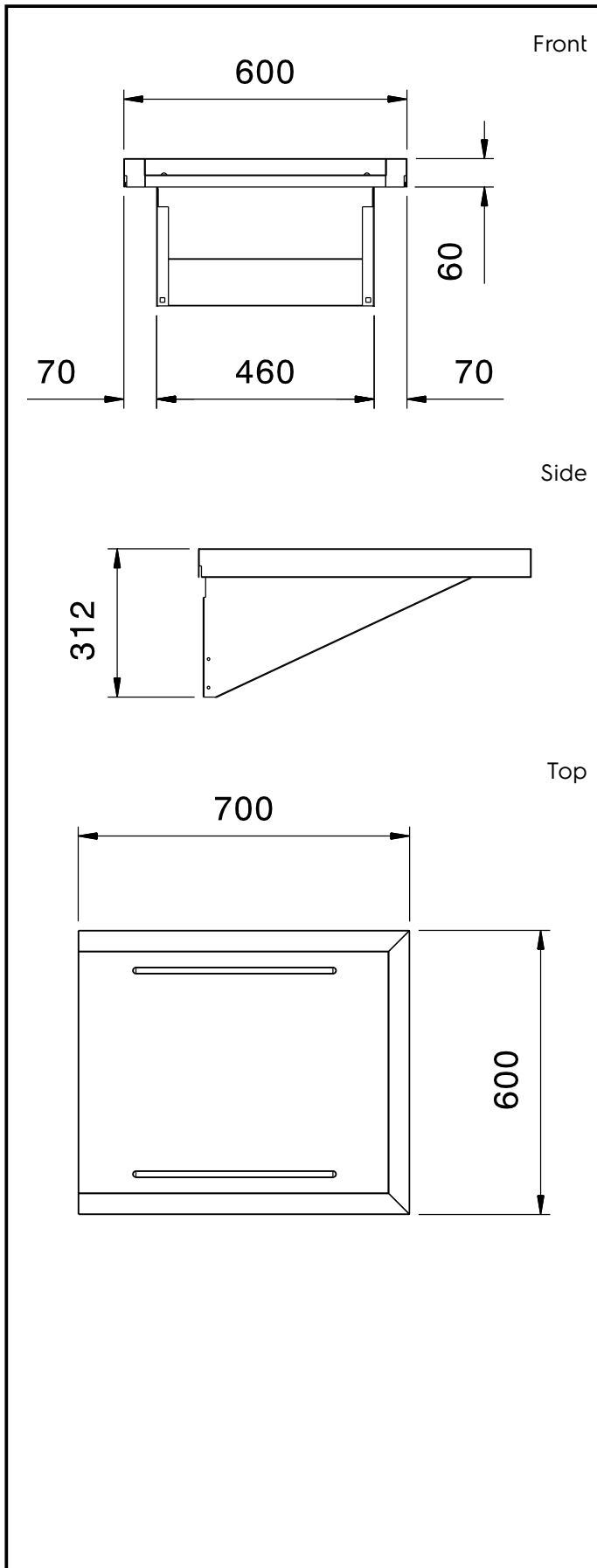
Basket direction: from right to left and from left to right.

### Construction

- 304 AISI stainless steel construction throughout.
- Shelves installed on the hood type dishwasher.

APPROVAL: \_\_\_\_\_





**Key Information:**

External dimensions, Width:	
865300 (BHHDWSS06)	700 mm
External dimensions, Depth:	600 mm
External dimensions, Height:	310 mm
Net weight:	6 kg